



FLAT DISPLAY TECHNOLOGY



This product is RoHS compliant

## § BRIEF SPECIFICATION §

---

FDT Tech Module No: **LOF150X35P-00R**

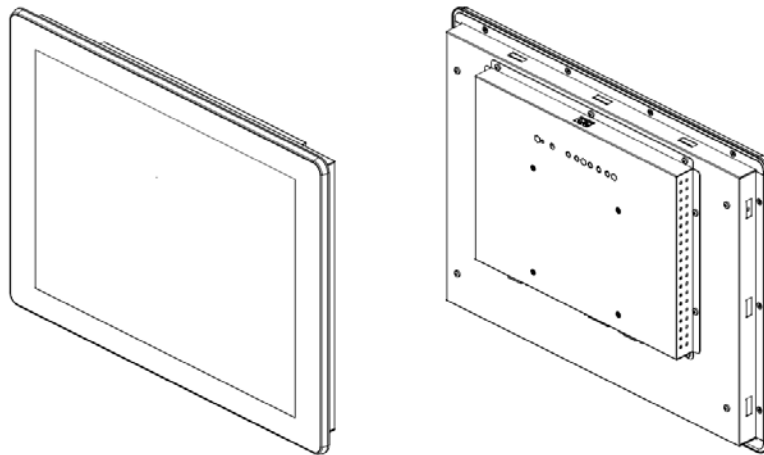
Description: **15" Digital TFT-LCD Module**

SPEC No.: **SAS-1410002**

Version: **0.0**

Issue Date: **October 2, 2014**

※ This specification contains 5 pages including the cover and appendix.



## Features

- 15" (1024x768) Digital TFT LCD
- Aspect Ratio: 4:3
- Input Signal VGA / DVI-D/ HDMI 1.3a
- Maximum Support Resolution 1920x1080
- Stereo Audio Amplifier, Output 2W@4Ω Speaker
- Audio Line-In / Line-Out (Optional)
- 2 Points Projected Capacitive Touch
- 5 Key Buttons Control
- UART / RS232 Serial Remote Control (Optional)
- 8 Language OSD Menu
- Light Sensor (Optional)
- LED Backlight
- Single Operation Voltage +12V

## Applications

- Industrial
- Medical Environment
- Instrument Display
- Kiosk
- Security
- Signage
- Office Electronics
- Home Application
- Educate Application



## Specifications

LCD	
Panel Size	15"
Resolution (Pixels)	1024x768
Color	16.7M
Luminance w/o TP	400 cd/m <sup>2</sup>
Luminance (PCT)	335 cd/m <sup>2</sup>
Contrast Ratio	700
Viewing Angle	80 / 80 / 70 / 70
Backlight Life Time (LED)	50K (Min)
Power Requirement	
Power Input (DC Jack 2.1 $\phi$ )	+12 V <sub>DC</sub>
PowerConsumption@+12V	11.4 Watts (@Without Amplifier)
Touch Screen	
Projected Capacitive Touch	USB Interface ( 2 Points )
Projected Capacitive Touch Support OS	Windows / Android / Linux

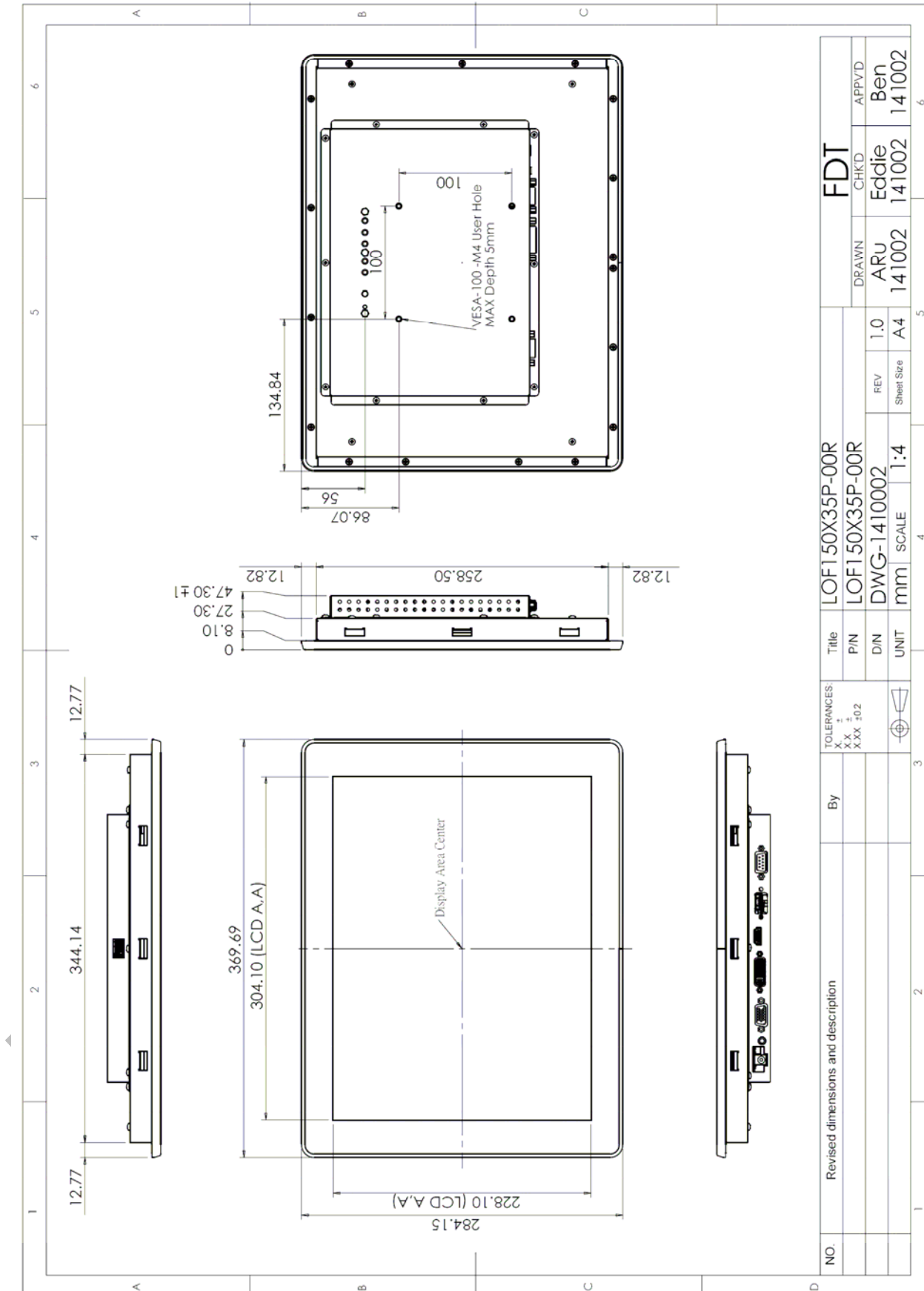
Input Signal	
VGA	D-Sub15
DVI	DVI-D
HDMI	1.3a
Audio	
Amplifier	1W@8 $\Omega$ / 2W@4 $\Omega$
Line-In	Stereo Input Phone Jack $\phi$ 3.5
Controls	
Key	5 Buttons
Serial Remote Control	UART / RS232 (Optional)
Environment	
Operating Temp. PCT	-20 ~ +70 $^{\circ}$ C
Storage Temp. PCT	-20 ~ +70 $^{\circ}$ C

## Order Information

Parameter	LOF150X35P-00R
VGA	☉
DVI	☉
HDMI	☉
Touch Panel Type	Projected Capacitive Touch
Touch Screen Interface	USB
Audio Amplifier	☉
Audio Line-In	☉
5 Keys	☉
UART Remote Control	☉

Option Function	
Parameter	<ul style="list-style-type: none"> <li>- Audio Line-Out</li> <li>- RS232 Remote Control</li> <li>- Light Sensor</li> <li>- Accessories (Option)</li> </ul>

## Dimension



## Accessories (Option)

Before you begin installing the KIT, please make sure that the following materials have been shipped:



A. LASTD12033-FDR



B. LAACD18000-FDR



C. LACABLE068-FDR



D. LACABLE069-FDR



E. LAVGA16000-FDR



F. LAUSB18000-FDR



G. LACABLE070-FDR



H. LAVCD00002-FDR



I. LASPKR0004-FDR



J. LASCW00003-FDR

- A. AC to DC Adapter (L:1500mm,100-240V<sub>AC</sub> 50-60Hz to +12V<sub>DC</sub> @ 3.3A,  $\phi$  2.1)
- B. Power Cord (L:1800mm, Plug Type B for USA)
- C. HDMI Cable (L:2000mm)
- D. DVI Cable (L:1800mm)
- E. VGA Cable (L:1600mm)
- F. USB Cable (L:1800mm)
- G. AUDIO Cable (L:1800mm)
- H. Touch Screen Driver CD Disk / User Manual
- I. Speaker (2.5W @ 4 $\Omega$  L:400mm \*2 Pieces)
- J. Mount Clamp and Screw \*12 Pieces