

Metal Frame LCD Monitor

MB104

- 10.4" SVGA / XGA TFT LCD with resolution up to 800x600 / 1024x768.
- Suitable for military, tablet, ruggedized PC, kiosk, advertising, POS, marine, transportation, gaming, gas pump.



Specifications:

Model Name	MB104N2	MB104N6	MB104N7
Display Type	10.4" TFT-LCD		
Panel			
- Display Color	262K/16.2M colors	262K colors	262K/16.2M colors
- Brightness	400nits	400nits	230nits
- Resolution	SVGA(800 x 600)	XGA(1024 x 768)	SVGA(800 x 600)
- Contrast Ratio	700 : 1	500 : 1	500 : 1
- Backlight Unit	LED	LED	LED
- Viewing Angle(R/L/U/D)	80/80/60/80	70/70/50/70	80/80/60/70
- Response Time(Tr+Tf)	30ms	25ms	35ms
Environmental			
- Temperature			
Operation	0°C~+50°C	0°C~+50°C	0°C~+50°C
Storage	-20°C~+60°C	-20°C~+60°C	-20°C~+60°C
Optional	Touch, Glass		

Note: Fanless: Brightness < 1000 nits;
Add fan: Brightness ≥ 1000 nits.

Order Information:

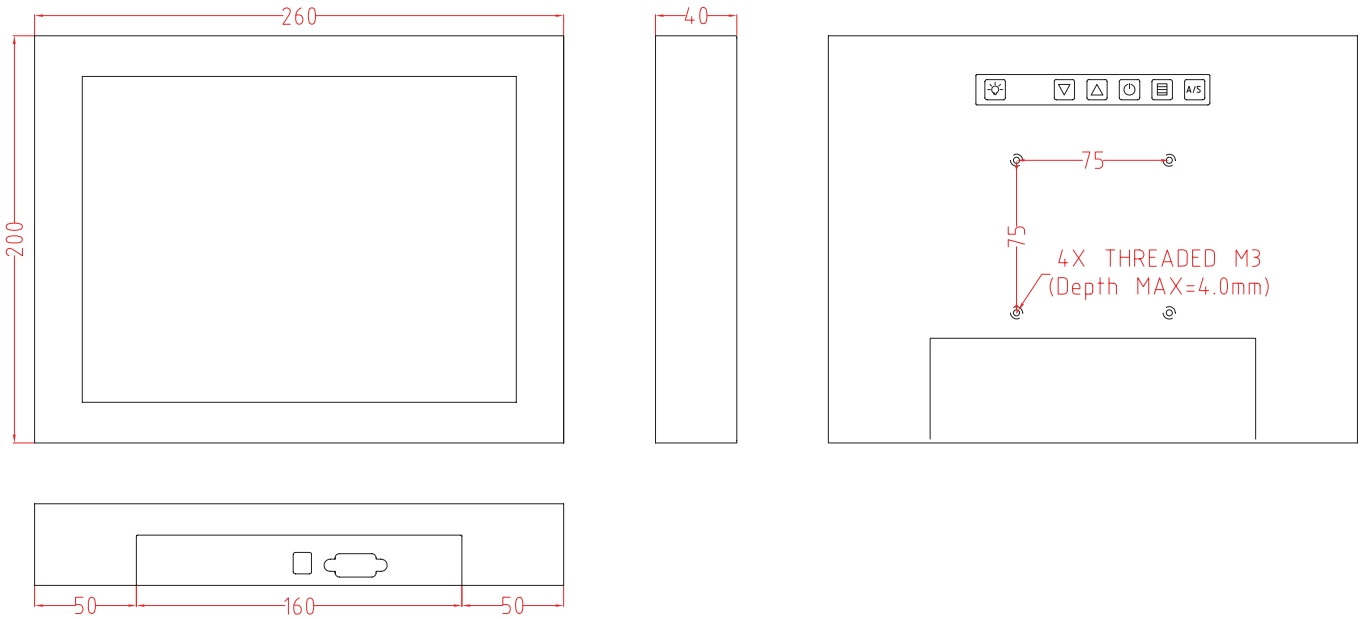
MB104XX - X X X X

① ② ③ ④ ⑤

① Model Name			
② Touch Screen (Optional) N: No touch screen or glass G: Glass (AR coating) R: Resistive, RS232 U: Resistive, USB	③ Signal Input C: VGA Only D: VGA + DVI-D E: VGA + DVI-D+Audio J: VGA + DVI-I + Audio + HDMI	④ Color B: Black N:Natural	⑤ Other N: N/A R: Bracket (rear mount)

Dimensions:

Unit:mm



[Bracket]

