



Metal Frame LCD Monitor

MB215

- 21.5" Full-HD TFT LCD with resolution up to 1920x1080.
- Suitable for military, tablet, ruggedized PC, kiosk, advertising, POS, marine, transportation, gaming, gas pump.



SPECIFICATIONS

Model Name	Display Resolution (pixel)	Display Color	Viewing Angle (CR ≥ 10) (R/L/U/D)	Brightness (cd/m ²)	Contrast Ratio	Backlight Unit	Response Time (msec)
MB215N3	Full-HD(1920x1080)	16.7M	89 / 89 / 89 / 89	250	5000:1	LED	16
MB215N4	Full-HD(1920x1080)	16.7M	85 / 85 / 80 / 80	300	1000:1	CCFL	5

Note: Fanless: Brightness < 1000 cd/m² ;
Add fan: Brightness ≥ 1000 cd/m²

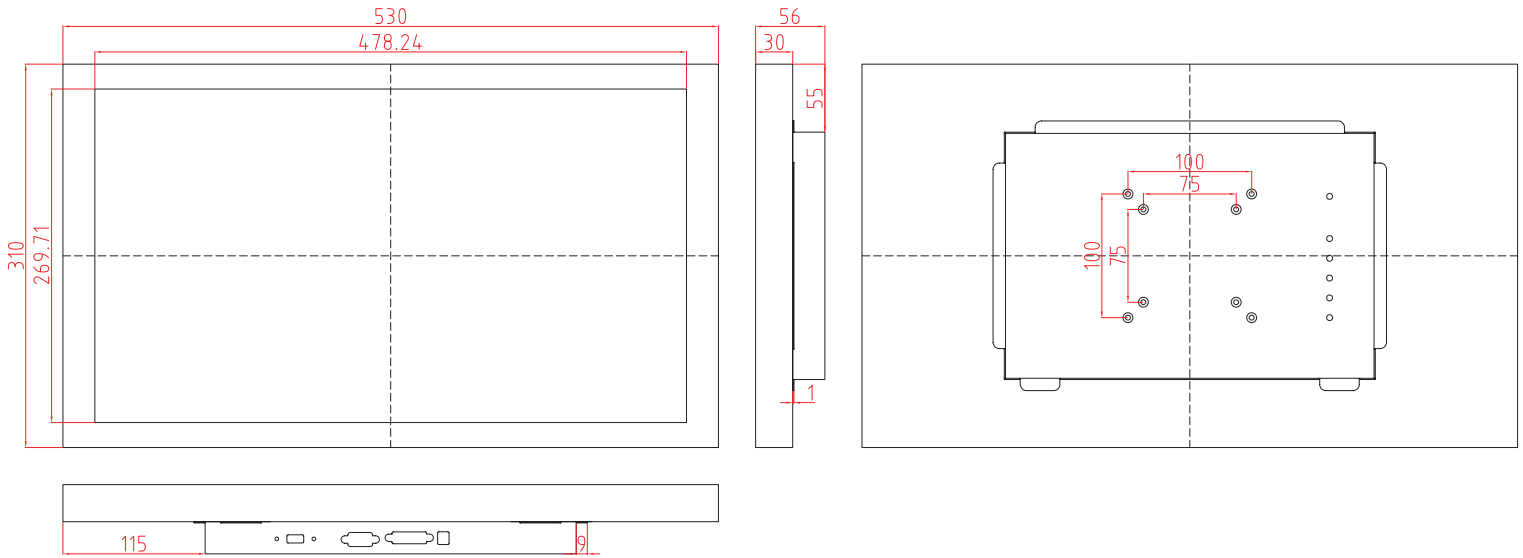
ORDER INFORMATION

MB215XX - X X X X
 ① ② ③ ④ ⑤

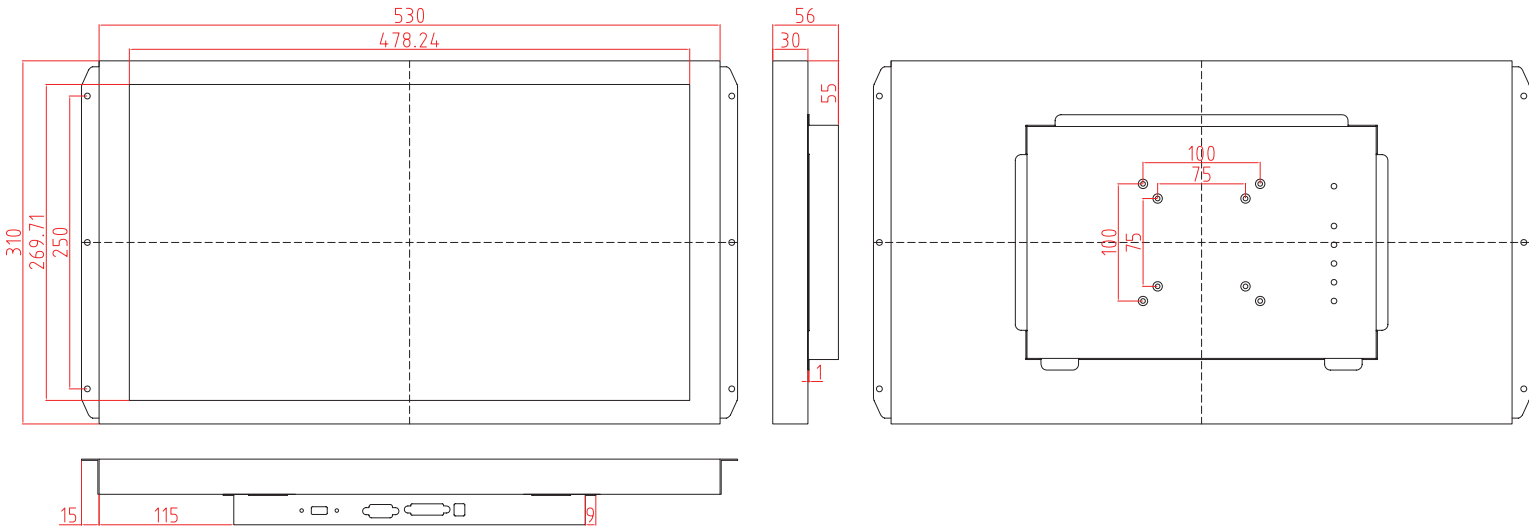
① Model Name	③ Signal Input	④ Color	⑤ Accessories
② Touch Screen (Optional) N: No touch screen or glass. G: Glass. R: Resistive, RS-232 U: Resistive, USB S: SAW touch (tempered).	C: VGA Only. D: VGA+DVI-D. E: VGA+DVI-D+AUDIO J: VGA+DVI-I+AUDIO+HDMI	B: Black.	N: No accessories. R: Bracket (rear mount).

DIMENSIONS

Unit:mm



[With bracket]



ACCESSORIES

Power Cord		VGA Cable	
R003OF180G003	Power Cord US Type L=1.8m	R003OH180G004	DB15p, Male/Male, L=1.8m
R003OF180G004	Power Cord German Type /2P L=1.8m	R003OH300G001	DB15p, Male/Male, L=3.0m
R003OF180G005	Power Cord UK Type /3P L=1.8m	R003OH500G001	DB15p, Male/Male, L=5.0m
Adapter			
R007W05002512	DC Adapter 12V 50W 4.16A		