

# BL1602E1



Ultra wide temperature

## Feature

1. COG package
2. 5V power supply
3. 5x8 dots format display
4. Built-in controller : US2066
5. Color: white, yellow, green
6. Support MCU Interfaces:
  - o 4 / 8-bit 6800/8080-series parallel interface
  - o Serial Peripheral Interface
  - o I<sup>2</sup>C Interface (Up to 400kbit/s)
7. 256-step contrast control
8. 3 sets of CGROM  
(ROM A / B / C – hardware/software selectable)
9. Operating temperatures: -40°C to 85°C

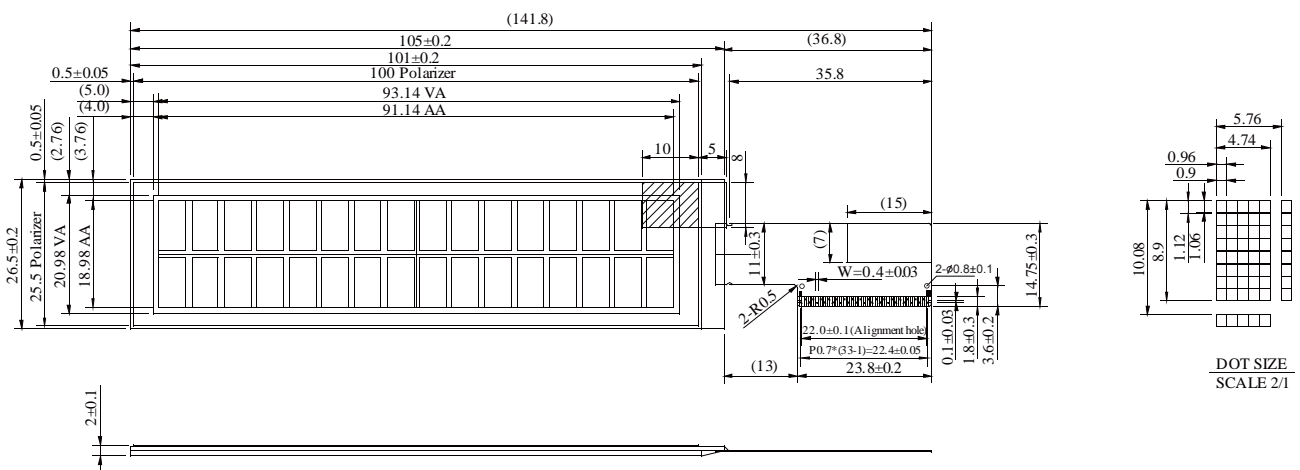
## Mechanical Data

Item	Standard Value	Unit
Module Dimension	105 x 26.5	mm
Active Area	91.14 x 18.98	mm
Dot Size	0.9 x 1.06	mm
Character Size	4.74 x 8.9	mm

## Electronic Characteristics

Item	Symbol	Condition	Value	Unit
Input Voltage	Vdd	Vdd = +5.0V	5.0(Typ.)	V
Supply Current	Idd	Vdd = +5.0V	300(Typ.)	uA
Life Time (Yellow)		120 cd/m <sup>2</sup>	80,000	hrs
Life Time (White)		100 cd/m <sup>2</sup>	40,000	hrs
Life Time (Green)		120 cd/m <sup>2</sup>	40,000	hrs

## Dimension



## Pin Assignment

Pin	Symbol	I/O	Description
1	N.C	-	Reserved Pin
2	VSL	P	Voltage output Low Level for SEG Signal
3	VSS	P	Ground
4	REGVDD	I	5V I/O Regulator Configuration
5	SHLC	I	Scanning Direction for COM Signal
6	SHLS	I	Mapping Direction for SEG Signal
7	VDD	P	Power Supply for logic Circuit
8	VDDIO	P	Power Supply for Interface logic Level
9~11	BS0~2	I	Communicating Protocol Selection
12	GPIO	I/O	General Purpose Input /Output
13	CS#	I	Chip Select
14	RES#	I	Power Reset for Controller and Driver
15	D/C#	I	Data/ Command Control
16	R/W#(WR#)	I	Read/ Write Select or Write
17	E(RD#)	I	Read /Write Enable or Read
18~25	D0~D7	I/O	Host Data Input/ Output Bus
26	IREF	I	Current Reference for Brightness Adjustment
27~28	ROM0~1	I	Built-in Character ROM Selection
29~30	OPRO~1	I	Character ROM/RAM Management
31	VCOMH	P	Voltage Output High Level for COM signal
32	VCC	P	Power Supply for Panel
33	NC	-	Reserved Pin