

# BL1602EW



## Feature

1. COG with SMT
2. 5V single power supply with built-in positive voltage
3. 5x8 dots format display
4. Built-in controller : US2066
5. Color: white, yellow, green
6. Support MCU Interfaces:
  - o 4 / 8-bit 6800/8080-series parallel interface
  - o Serial Peripheral Interface
  - o I<sup>2</sup>C Interface (Up to 400kbit/s)
7. 256-step contrast control
8. 3 sets of CGROM  
(ROM A / B / C – hardware/software selectable)
9. Operating temperatures: -40°C to 85°C
10. Option: +3.3V single power supply



## Pin Assignment

Pin	Symbol	Level	Description
1	GND	0V	Ground
2	VDD	5.0V	Supply voltage for logic.
3	NC	-	-
4	RS	H/L	H: DATA, L: Instruction code
5	R/W	H/L	H: Read (MPU→Module) L: Write (MPU←Module)
6	E	H→L	Chip enable signal
7~14	DB0~7	H/L	Data bit 0~7
15	NC	-	-
16	NC	-	-

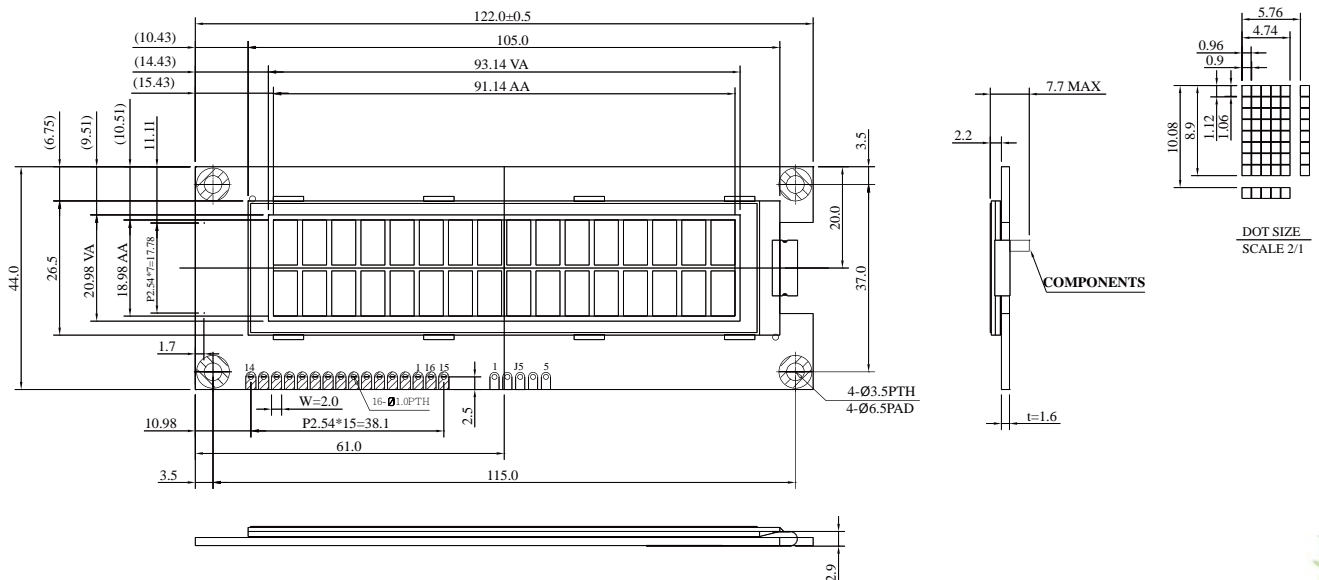
## Mechanical Data

Item	Standard Value	Unit
Module Dimension	122.0 x 44.0	mm
Active Area	93.14 x 20.98	mm
Dot Size	0.90 x 1.06	mm
Character Size	4.74 x 8.90	mm

## Electronic Characteristics

Item	Symbol	Condition	Typical Value	Unit
Input Voltage	Vdd	Vdd =+ 5.0V	5.0	V
Supply Current	Idd	Vdd =+ 5.0V	150.0	mA
Life Time (Yellow)		120cd/m2	80,000	hrs

## Dimension



BL-4